



ECLYPSE

**The Blind That Darkens Your Room
In 3 Seconds**

PRICE LIST

VAT EXCLUDED

ECLIPSE

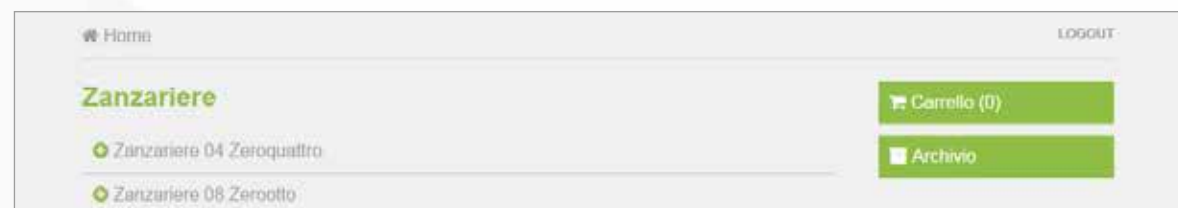
TABLE OF CONTENTS

FABRIC COLOURS	page 6
PROFILE COLOURS	page 7
COMPANY TOUR	page 9
LATERAL ECLIPSER BLACKOUT	page 12
VERTICAL ECLIPSER BLACKOUT	page 14
LATERAL ECLIPSER FILTERING	page 16
VERTICAL ECLIPSER FILTERING	page 18
DAY AND NIGHT VERTICAL	page 20
FABRIC PLEATED DOOR	page 22
EXPLODED VIEW	page 26
MEASURING	page 31
SAMPLE	page 33
TESTIMONIALS	page 35
RETURN REQUEST FORM	page 37
CUSTOMER PHOTO	page 38
TERMS AND CONDITIONS OF SALE	page 40

ATTENTION!!!

We only accept orders via App or Mail

Request our app now,
write to info@shark-net.com to get it!

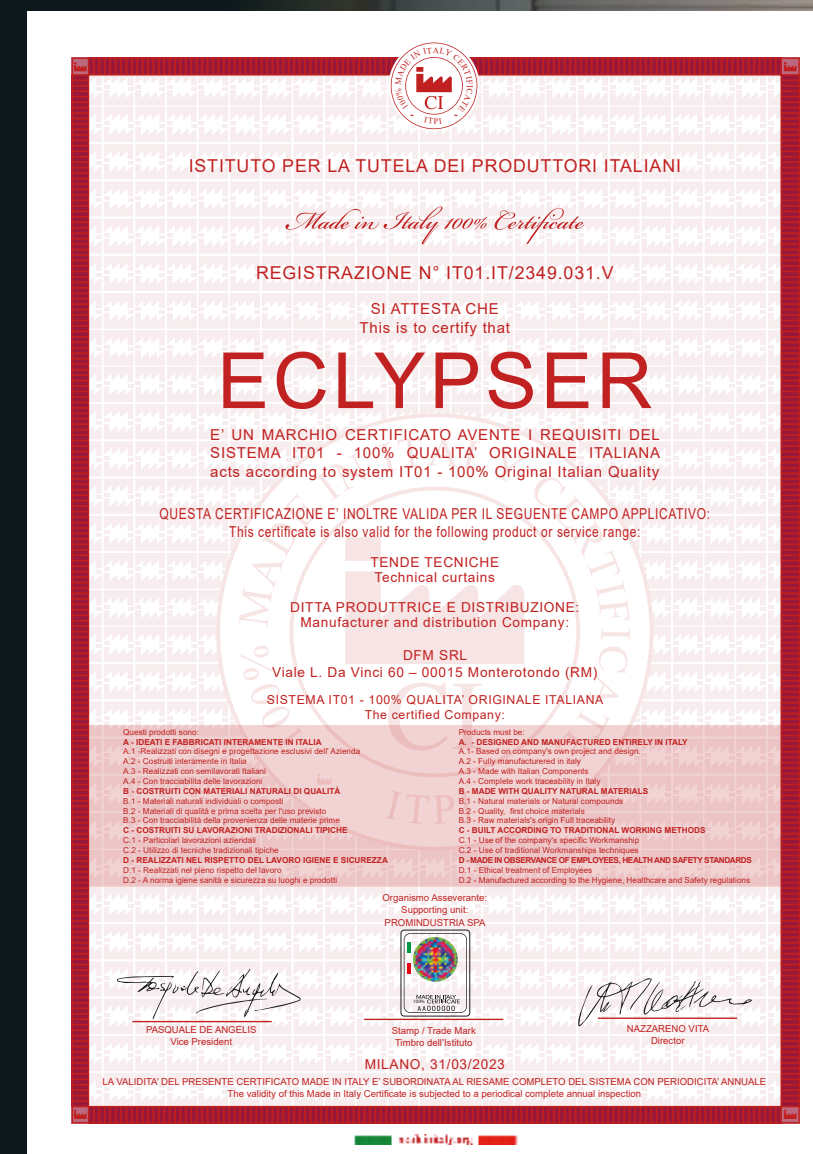


Already 2012 customers like you use it daily!



Eclypser Gets the Certification of origin and quality 100% Made in Italy!

The brand aims to confirm the value of the
quality product of true Italian origin.
Who does not make a valuable product made entirely in Italy Can
never boast of the 100% Made in Italy certification.



BLACKOUT honeycomb



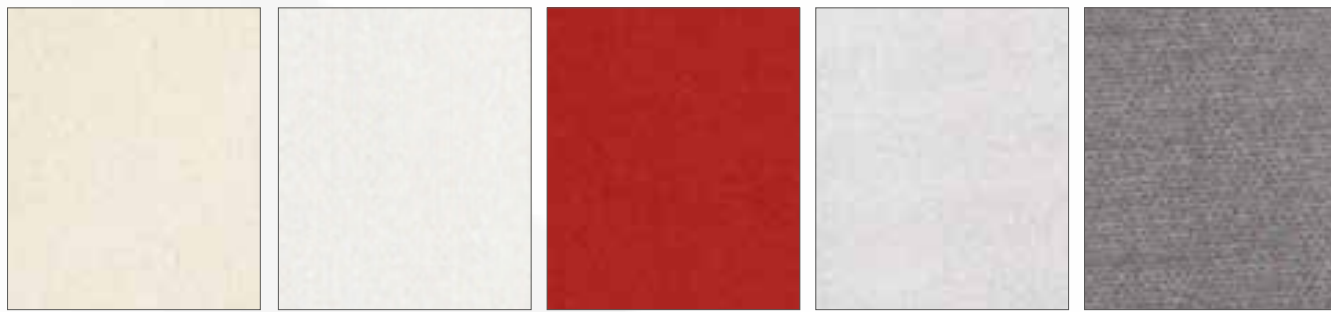
Ivory 5010B Black Brown 5014M White

The blackout fabric is two-tone, the back is always white.
The fabric is 99% blackout.
White colour available also in flame retardant version.

PANTHEON

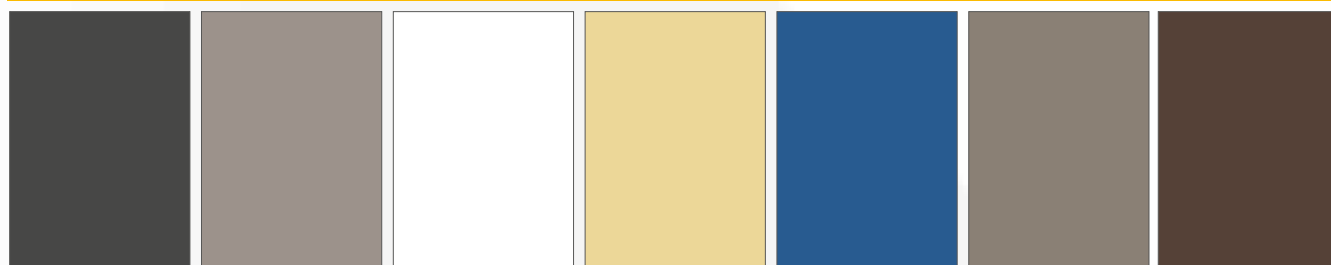


16 19 29 41 59



61 65 78 98 99

UNICO

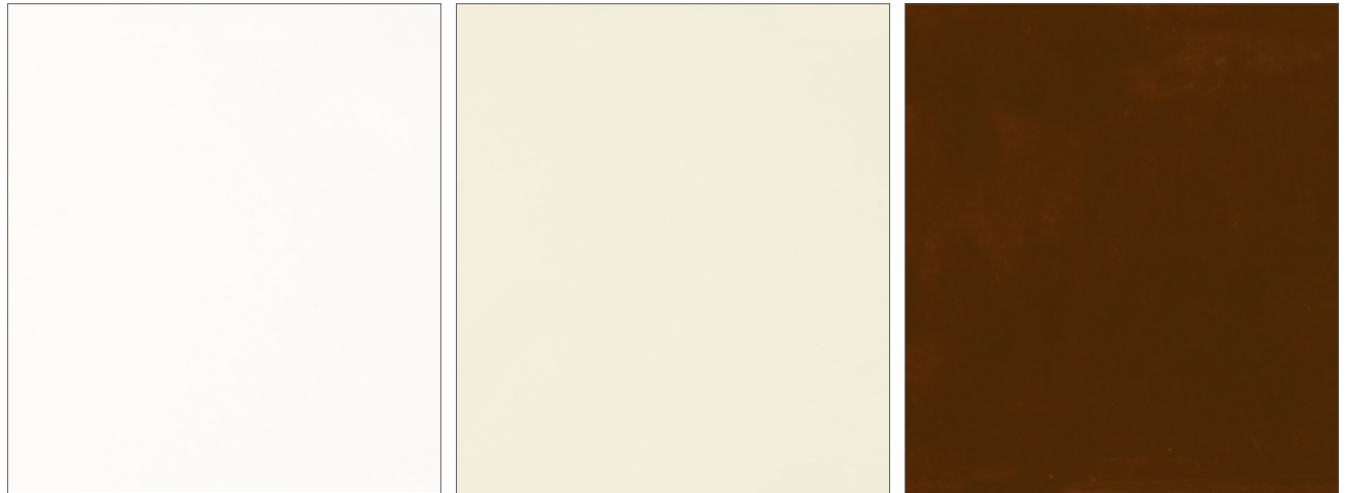


Dark grey 120-19 Light grey 1213 Optical white 1220 Cream 1206 Light blue 1211 Dove grey 120-25 Brown 1239

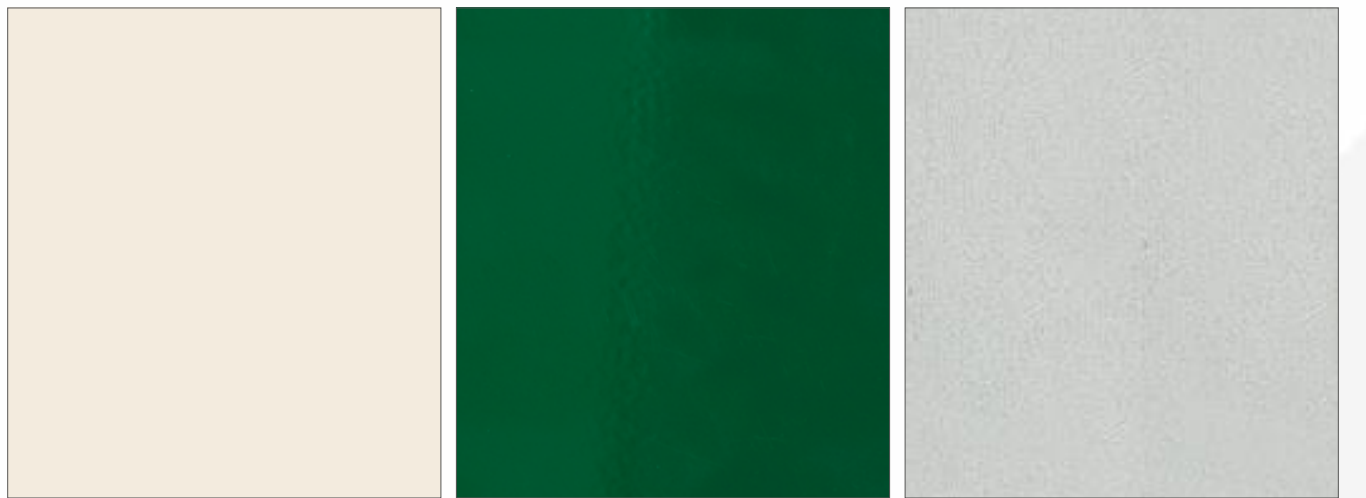
The pantheon fabric is not 100% darkening but reaches 50-60% with dark colours. Pantheon fabric maximum height 300cm

Indicative colours. Colours and fabrics may undergo variations
Read the notes at the bottom of the price list on fabrics

STANDARD



White 9010 matt Ivory 1013 matt Brown 8017 matt



Cream White 9001 Green 6005 matt Grey 7035

MICHELANGELO



Michelangelo Green code DR-601 Michelangelo Brown code DR-801 Michelangelo Grey code DR-709

*Not in stock. Available on sold in 10/20 working days.

STANDARD PLUS



Matt Black
DR-935 - 9005

Black Silver DR-924*

Dark Bronze
DR-288 VIV 318

Hammered Copper
DR-926*



Dark Micaceous Iron
DR 703*

Antique Marble Brown
DR 806*

Anthracite Grey 7016

Painted Bronze
DR 284

Painted Silver DR734

IMITATION WOOD



Acacia A-70/R*

Cherry 317-70/R

Rough Walnut 102/70R

Oak 333-80/R*

Pine 319-8/R*

Douglas 335/8R*



Chestnut Decoral*
Chestnut 538-70-R

Decoral Walnut
563-149-R

Walnut
600-149-R

Decoral Walnut
V13-71-Rv

Renolit
386/73R Clear

Renolit
387/70R Dark

Indicative colors
* Not in stock. Available on sold in 10/20 working days.

COMPANY TOUR SHARKNET COMPANY



Start of Route U1





Entering through the centrale door of the shed, turning left we find ourselves in the production unit

All aluminium profiles are stored vertically to optimize space



The aluminium warehouse is divided by color



Immediately after the aluminium profile warehouse, the automatic machine for the Eclypser production is positioned, this machine was designed and built internally, thanks to our Research and Development Team and thanks to the innovative drive of Sergio Marcantoni



All the fabrics are instead stored in drawers, each assembly table has drawers in the lower part where the fabrics are "pre-cut" in pieces that arrive directly from our pleating department. In the upper part, instead, the accessories necessary to complete the Eclypser Blinds are placed.



All filtering and semi-darkening fabrics are pleated internally and to the millimeter!



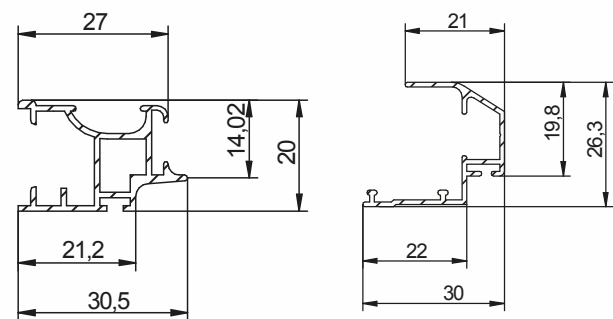
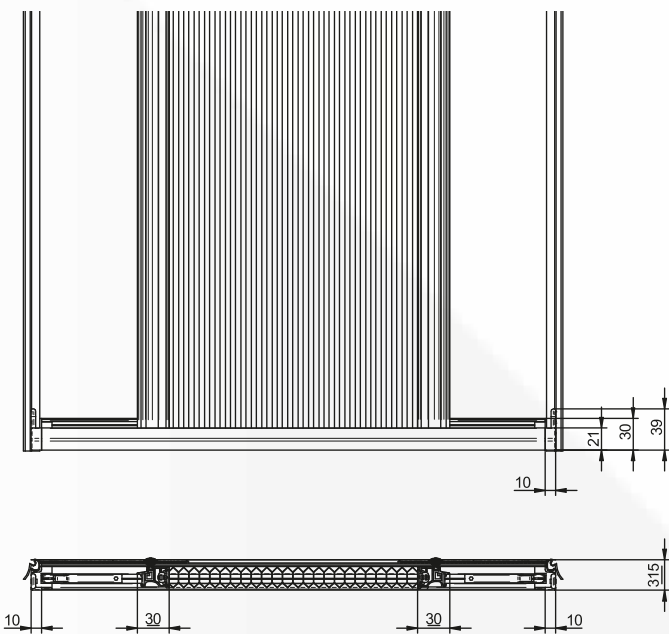


SECTIONS AND OVERALL DIMENSIONS

Horizontal section

Handlebar section

Guide section



NOTES

Lateral Eclypser Blackout can be made only and exclusively in the measures in this grid, exceptions cannot be accepted.

**Increase for Michelangelo Profile 8%, Standard Plus 10%, Imitation Wood 35%.
Flame retardant version + 30%**

The product must only be installed on glass. The warranty is void if applied to a different surface. In case of different application, please contact your consultant.

Plastic accessories colours: Black, White, Brown, Ivory.
Profile colors and fabrics: see **page 6,7,8**

NOTES: black removable closure system on the side of the profile eclypser and transparent on the side of the glass application. there are no exceptions.
Wire change € 66,15 per piece. Black cover tape (white, black or brown on request)

BLACKOUT FABRIC

PRICE LIST (MM)	200	300	400	500	600	700	800	900	1000	1100	1200	1300	1400	1500	1600	1700	1800	1900	2000
200	106,17	110,61	119,83	129,04	134,31	140,89	152,74	155,38	165,59	168,19	177,32	186,45	191,67	200,80	212,48	226,71	243,50	260,31	277,09
300	107,97	117,19	126,41	135,63	142,21	150,12	160,64	165,92	174,72	179,94	189,05	198,18	204,70	213,83	225,51	239,75	256,55	273,34	290,14
400	114,56	123,78	132,99	142,21	150,12	159,33	168,54	176,44	183,84	191,67	200,80	209,91	217,74	226,87	238,55	252,79	269,58	286,38	303,17
500	121,14	130,36	139,58	148,79	158,02	168,54	176,44	186,98	192,97	203,40	212,53	221,66	230,77	239,90	251,59	265,82	282,62	299,41	316,21
600	126,41	135,63	144,84	154,07	164,59	173,81	184,34	193,56	202,10	212,53	221,66	232,09	241,20	251,63	264,63	280,17	298,27	316,37	334,47
700	127,73	138,26	148,79	159,33	169,87	180,39	190,93	201,46	209,91	220,34	232,09	241,20	252,95	262,08	273,76	287,99	304,78	321,58	338,37
800	133,53	143,89	154,25	164,59	175,13	186,98	197,51	209,36	217,74	229,47	239,90	251,63	262,08	273,81	288,09	304,94	324,34	343,75	363,15
900	139,58	149,67	159,76	169,87	181,71	193,56	205,41	217,26	226,87	237,30	250,33	260,76	273,81	284,24	297,22	312,77	330,86	348,96	367,06
1000	149,18	157,84	166,48	175,13	188,29	200,15	213,31	225,16	235,99	247,73	259,46	272,51	284,24	297,27	312,87	331,02	351,72	372,43	393,14
1100	155,64	163,89	172,14	180,39	193,56	206,73	219,90	233,06	243,82	256,86	269,89	282,94	295,97	309,01	324,60	342,75	363,46	384,17	404,87
1200	162,35	170,12	177,89	185,66	198,83	213,31	227,80	240,96	252,95	265,98	280,32	293,37	306,40	320,74	337,64	357,09	379,11	401,11	423,13
1300	168,86	178,36	187,86	197,35	208,05	221,21	237,01	251,50	262,08	277,72	290,75	305,10	320,74	333,77	349,37	367,52	388,24	408,94	429,64
1400	170,54	181,27	192,00	202,72	214,63	229,11	243,60	259,40	271,19	285,54	301,18	315,53	331,17	346,82	365,02	385,78	409,10	432,40	455,72
1500	177,84	188,37	198,91	209,44	221,21	237,01	252,81	267,30	281,62	297,27	311,61	327,26	344,22	358,55	375,45	394,91	416,91	438,93	460,93
1600	179,53	191,29	203,05	214,82	226,49	243,60	260,71	276,52	289,45	305,10	322,04	337,69	353,33	371,59	392,40	415,77	441,69		
1700	186,83	198,39	209,96	221,52	234,37	251,50	268,62	285,73	299,88	316,83	332,47	350,73	367,68	383,32	401,52	422,28	445,60		
1800	192,65	204,07	215,48	226,90	239,65	258,08	276,52	293,63	307,70	325,96	342,90	359,86	376,81	395,05	415,86	439,23	465,16		
1900		209,83	222,39	234,95	247,55	265,98	285,73	302,84	318,13	336,39	353,33	372,89	391,15	408,10	427,60	449,66	474,28		
2000		215,50	227,91	240,32	254,13	272,57	290,99	310,75	327,26	345,52	363,76	382,02	401,58	419,83	440,64	464,00	489,92		
2100			233,45	245,68	262,03	281,78	300,22	319,97	336,39	355,95	374,19	395,05	414,61	432,87					
2200			238,96	252,40	267,30	287,04	308,12	329,18	345,52	365,08	385,94	405,48	425,04	444,60					
2300			247,05	261,67	275,12	294,87	318,57	340,95	357,20	376,76	400,22	418,48	438,04	458,90					
2400			257,68	273,49	285,50	305,25	331,58	355,28	371,43	390,99	417,07	434,02	453,57	475,74					
2500			270,87	287,87	298,44	318,19	347,15	372,17	388,24	407,78	436,47	452,12	471,68	495,14					
2600			286,62	304,82	313,93	333,68	365,28	391,61	407,58	427,14	458,43	472,77	492,33	517,11					
2700			304,93	324,31	331,98	351,73	385,96	413,61	429,49	449,05	482,95	495,98	515,54	541,62					
2800			325,80	346,36	352,57	372,33	409,19	438,17	453,95	473,51	510,01	521,76	541,31	568,69					
2900			349,21	370,97	375,73	395,49	434,99	465,28	480,97	500,53	539,64	550,07	569,63	598,32					



BLACKOUT FABRIC

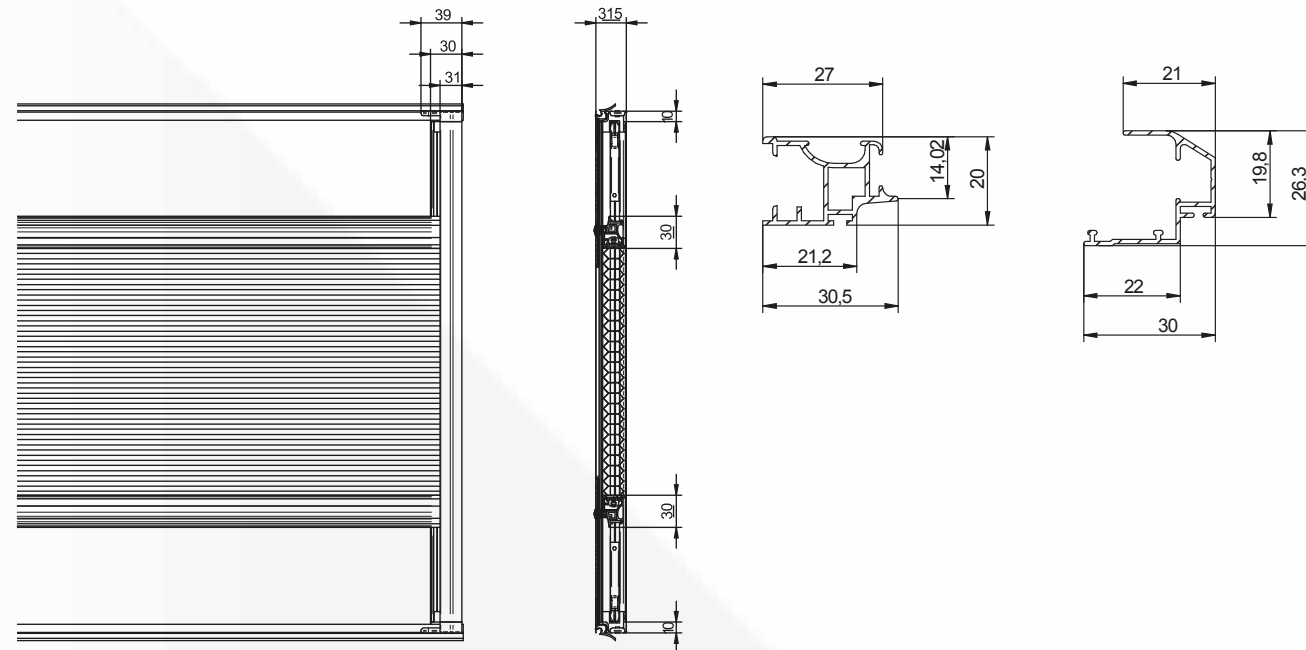
PRICE LIST (MM)	H ^W	200	300	400	500	600	700	800	900	1000	1100	1200	1300	1400	1500
200		113,02	115,68	118,34	121,01	126,32	130,30	135,63	136,95	142,27	146,26	151,58	163,80	166,66	169,53
300		117,01	120,34	123,66	126,99	132,30	136,29	141,61	143,60	148,92	152,91	158,23	169,61	173,12	176,62
400		121,01	124,99	128,98	132,96	138,29	142,27	147,60	150,25	155,57	159,56	164,88	175,42	179,58	183,72
500		128,98	134,30	139,61	144,94	150,25	154,25	159,56	163,54	168,87	172,85	178,18	187,05	192,47	197,91
600		136,95	142,27	147,60	152,91	158,23	164,88	170,19	175,52	180,84	187,49	192,80	200,62	207,38	212,80
700		142,27	148,92	155,57	162,22	168,87	174,19	180,84	187,49	194,14	199,45	206,10	215,53	222,29	227,71
800		151,58	158,23	164,88	171,53	178,18	184,83	191,47	198,12	204,77	212,74	219,39	229,08	237,21	243,99
900		159,56	166,21	172,85	179,50	187,49	195,46	202,11	210,08	218,07	224,72	232,69	245,33	250,77	258,90
1000		166,21	174,19	182,16	190,14	196,79	206,10	214,07	222,05	230,03	239,34	245,99	258,90	268,39	275,16
1100		174,19	182,16	190,14	198,12	207,43	216,73	224,72	234,01	242,00	251,31	260,61	273,81	281,94	291,43
1200		176,84	187,49	198,12	208,76	218,07	226,04	236,68	244,66	255,30	264,61	272,58	288,72	296,85	307,69
1300		189,61	198,83	208,05	217,26	227,80	237,01	246,23	256,76	265,98	276,52	285,73	304,98	315,83	323,96
1400		198,83	208,05	217,26	226,49	237,01	247,55	258,08	267,30	279,15	288,37	300,22	318,54	329,38	340,22
1500		205,41	215,95	226,49	237,01	247,55	259,40	269,93	281,78	292,32	304,17	313,38	334,80	345,64	357,84
1600		210,68	222,54	234,37	246,23	258,08	268,62	281,78	292,32	305,48	316,02	327,87	349,71	361,91	372,75
1700		217,26	230,42	243,60	256,76	268,62	281,78	293,63	306,80	317,33	330,50	342,35	364,62	378,17	390,37
1800		226,49	239,65	252,81	265,98	279,15	290,99	305,48	317,33	330,50	343,66	355,51	379,53	393,08	406,64
1900		233,06	247,55	262,03	276,52	289,68	304,17	317,33	330,50	343,66	356,84	371,31	395,80	410,70	422,90
2000		242,28	256,76	271,25	285,73	300,22	313,38	327,87	342,35	355,51	370,00	384,49	410,70	424,26	439,17
2100		252,81	267,30	281,78	296,27	310,75	326,55	339,72	354,20	370,00	384,49	398,97	425,61	440,52	456,79
2200		260,61	276,56	292,52	308,48	324,43	339,06	356,34	370,97	385,60	402,88	417,50	440,52	456,79	473,05
2300		269,92	285,87	301,83	317,78	333,74	351,02	366,98	382,94	398,89	414,85	430,80	456,79	473,05	487,96
2400		283,06	299,01	314,97	330,93	346,88	366,82	381,46	398,74	416,02	430,64	447,94	476,89	493,15	506,71
2500		300,04	316,00	331,94	347,90	363,86	386,47	399,76	418,37	436,99	450,29	468,89	500,82	517,08	529,28
2600		317,01	332,97	348,92	364,88	380,83	406,10	418,07	438,01	457,95	469,92	489,86	524,75	541,03	551,86
2700		333,99	349,95	365,89	381,85	397,81	425,73	436,36	457,65	478,91	489,55	510,83	548,69	564,96	574,45

SECTIONS AND OVERALL DIMENSIONS

Vertical and Frontal Section

Bar-handle Section

Guide section



NOTES

Vertical Eclypser Blackout can be made only and exclusively in the measures in this table, exceptions cannot be accepted.

**Increase for Michelangelo Profile 8%, Standard Plus 10%, Imitation Wood 35%.
Flame retardant version + 20%**

The product must only be installed on glass. The warranty is void if applied to a different surface. In case of different application, please contact your consultant.

Plastic accessories colours: Black, White, Brown, Ivory.
Profile and fabric colours: see **page 6,7,8**.

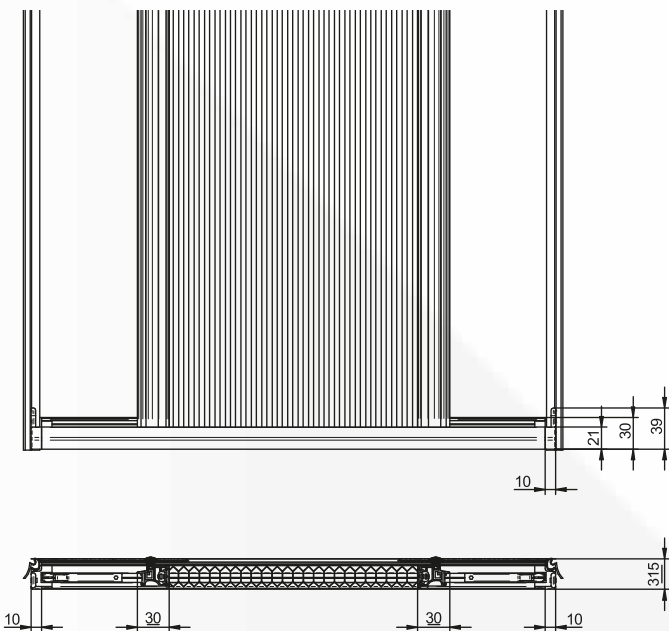
NOTES: black removable closure system on the side of the profile eclypser and transparent on the side of the glass application. there are no exceptions.
Wire change € 66,15 per piece. Black cover tape (white, black or brown on request)

HANDLING ROD FOR ECLYPSE CM:	PRICE LIST
30	€ 45,18
60	€ 45,49
90	€ 45,82
120	€ 46,13
Increase for rod arrangement only € 16,09	

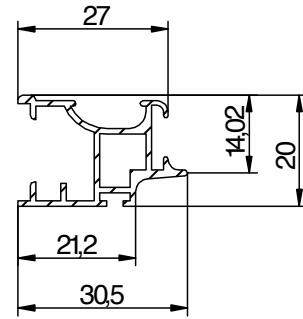


SECTIONS AND OVERALL DIMENSIONS

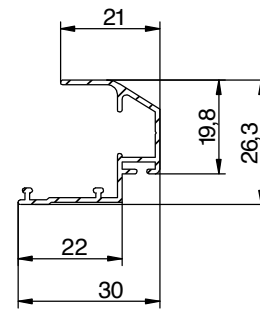
Horizontal Section



Handlebar section



Guide section



NOTES

Lateral Eclypser Blackout can be made only and exclusively in the measures in this table, exceptions cannot be accepted

Increase for Michelangelo Profile 8%, Standard Plus 10%, Imitation Wood 35%.

Profile and fabric colours: see [page 6,7,8](#)

The product must only be installed on glass. The warranty is void if applied to a different surface. In case of different application, please contact your consultant

Plastic accessories colours: Black, White, Brown, Ivory.

NOTES: black removable closure system on the side of the profile eclypser and transparent on the side of the glass application. there are no exceptions. Wire change € 66,15 per piece. Black cover tape (white, black or brown on request)

PANTHEON AND UNICO FABRICS

PRICE LIST (MM)	200	300	400	500	600	700	800	900	1000	1100	1200	1300	1400	1500	1600	1700	1800	1900	2000
200	80,49	89,19	97,87	106,56	100,95	111,29	112,27	119,11	124,75	126,32	134,29	138,31	147,60	154,25	163,45	175,20	189,52	203,84	218,15
300	90,12	97,11	104,08	111,06	108,06	116,92	119,11	125,97	131,53	134,30	142,34	147,71	155,57	162,22	171,42	183,19	197,50	211,82	226,14
400	99,77	105,04	110,30	115,56	115,16	122,56	125,97	132,81	138,31	142,27	150,39	157,11	163,54	170,19	179,41	191,16	205,48	219,79	234,11
500	109,41	112,96	116,51	120,07	122,28	128,18	132,81	139,66	145,09	150,25	158,45	166,51	171,53	178,18	187,38	199,13	213,45	227,77	242,10
600	114,38	117,78	121,17	124,57	125,12	133,82	136,92	145,13	151,87	155,57	165,17	173,23	178,18	186,15	196,69	209,78	225,43	241,07	256,72
700	113,03	117,89	122,73	127,57	127,97	136,64	139,66	147,88	154,58	159,56	167,86	177,25	182,16	190,14	200,68	213,77	229,41	245,06	260,70
800	116,36	121,09	125,83	130,57	132,23	139,46	143,77	151,98	158,65	163,54	173,23	181,29	187,49	195,46	206,00	219,08	234,74	250,38	266,03
900	119,67	124,31	128,94	133,58	136,49	143,68	147,88	157,45	164,07	168,87	179,94	187,99	192,80	202,11	213,97	228,39	245,37	262,34	279,32
1000	123,31	129,23	135,16	141,08	142,18	150,73	156,09	164,30	172,22	178,18	189,34	197,40	203,43	214,07	227,27	243,02	261,32	279,62	297,93
1100	128,28	134,05	139,82	145,57	149,30	157,78	162,93	172,52	181,71	187,49	198,74	208,14	215,41	224,72	236,58	251,00	267,97	284,95	301,92
1200	134,92	140,47	146,03	151,58	154,98	163,40	169,77	180,73	188,49	195,46	206,79	217,54	226,04	235,35	247,21	261,63	278,61	295,58	312,56
1300	133,89	142,29	150,68	159,09	162,09	170,45	176,62	187,57	196,62	203,43	216,19	226,93	235,35	244,66	256,52	270,94	287,91	304,89	321,86
1400	140,20	147,00	153,79	160,58	163,51	173,26	179,36	190,32	197,98	204,77	217,54	229,62	236,68	247,31	260,51	276,26	294,56	312,87	331,17
1500	150,16	156,64	163,11	169,59	173,46	183,13	190,32	202,64	211,54	219,39	232,30	244,40	252,63	264,61	279,12	296,20	315,84	335,47	355,10
1600	148,81	156,74	164,66	172,59	176,31	185,95	193,05	204,00	214,25	220,72	234,99	245,73	255,30	265,93	279,12	294,87	313,18		
1700	152,14	159,96	167,77	175,60	177,73	188,76	195,79	208,11	218,31	224,72	239,02	249,77	259,28	269,92	283,12	298,86	317,16		
1800	155,45	163,17	170,88	178,60	180,57	191,57	197,16	209,48	219,67	227,37	240,36	252,45	261,94	272,58	285,77	301,52	319,83		
1900		169,48	175,54	181,60	184,84	194,39	201,27	213,59	222,38	230,03	243,05	255,14	264,61	276,56	291,09	308,17	327,80		
2000		169,59	177,09	184,60	187,68	197,21	204,00	214,96	225,09	231,36	245,73	257,82	265,93	277,90	292,41	309,49	329,14		
2100		180,20	187,60	195,10	190,52	201,43	208,11	219,07	229,16	235,35	249,77	260,51	269,92	281,89					
2200		187,97	195,10	199,57	206,45	207,07	213,59	224,53	234,58	240,66	255,14	267,22	276,56	288,54					
2300		199,57	206,45	215,01	221,62	216,54	222,90	233,86	243,84	249,82	264,34	277,77	287,06	299,01					
2400		215,01	221,62	229,85	236,28	229,85	236,05	247,00	256,93	262,81	277,38	292,15	301,36	313,33					
2500		234,28	240,63	249,63	257,31	246,98	253,02	263,98	273,87	279,62	294,26	310,37	319,51	331,49					
2600		257,38	263,46	273,38	282,17	267,95	273,83	284,79	294,62	300,28	314,96	332,42	341,51	353,47					
2700		284,32	290,14	297,31	304,85	282,17	292,76	309,43	319,22	324,78	339,51	358,31	367,33	379,29					
2800		315,09	320,65	326,65	330,85	321,40	326,97	337,92	347,65	353,10	367,88	388,02	396,98	408,94					
2900		349,70	354,99	359,99	364,38	353,87	359,28	370,24	379,91	385,26	400,10	421,57	430,46	442,43					

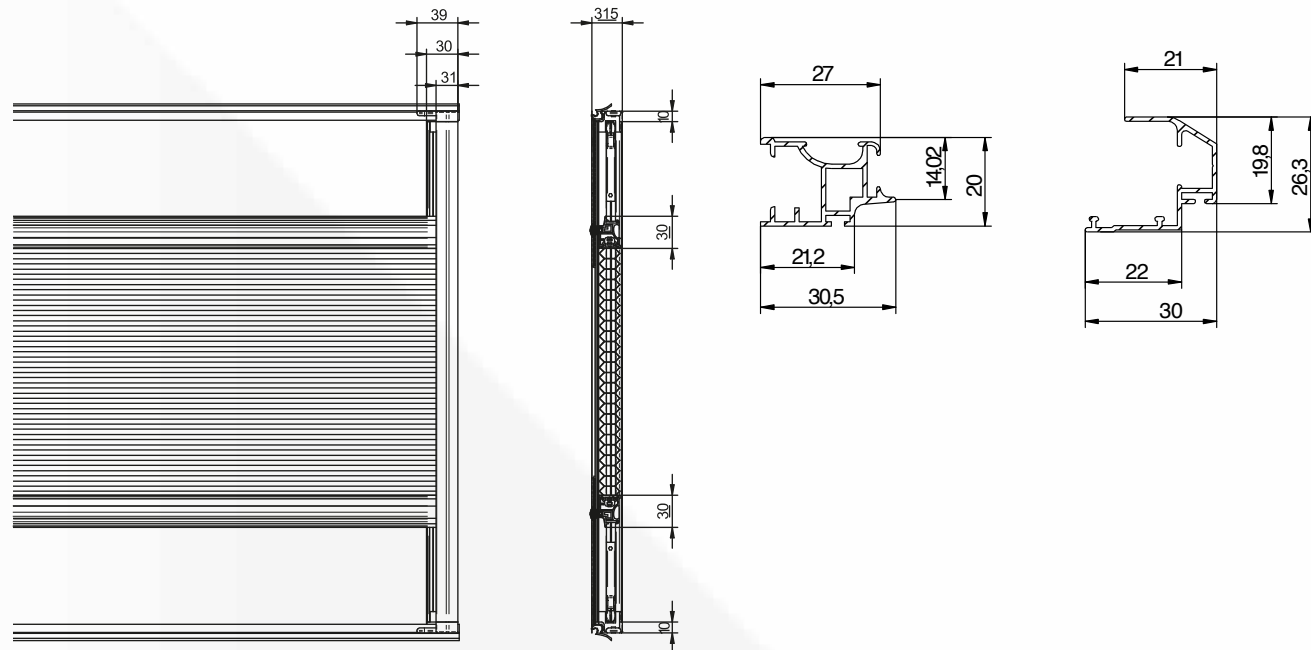


SECTIONS AND OVERALL DIMENSIONS

Vertical and Frontal Section

Handlebar section

Guide section



NOTES

Filtering vertical Eclypser can be made only and exclusively in the measures in this table, exceptions cannot be accepted.

Increase for Michelangelo Profile 8%, Standard Plus 10%, Imitation Wood 35%.
Profile and fabric colours: see page 6,7,8

The product must only be installed on glass. The warranty is void if applied to a different surface. In case of different application, please contact your consultant

Plastic accessories colours: Black, White, Brown, Ivory.

NOTES: black removable closure system on the side of the profile eclypser and transparent on the side of the glass application. there are no exceptions. Wire change € 66.15 per piece. Black cover tape (white, black or brown on request)

PANTHEON AND UNICO FABRICS

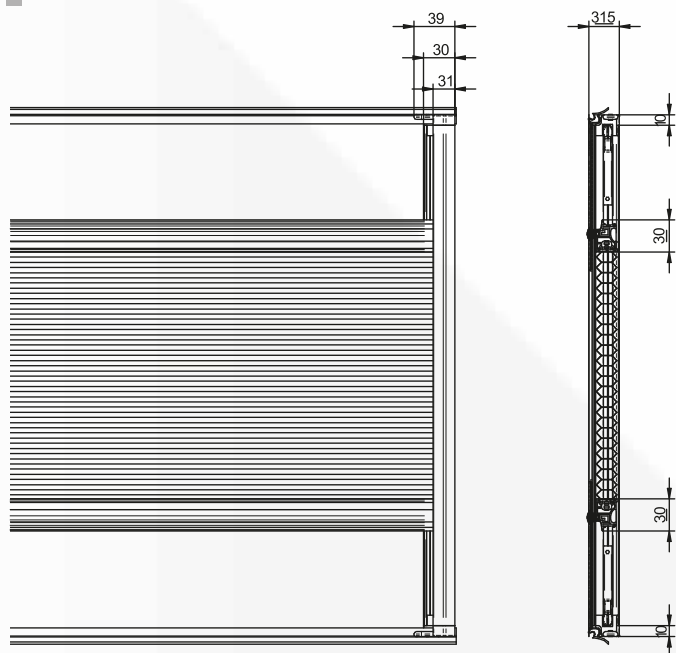
PRICE LIST (MM)	H ^W	200	300	400	500	600	700	800	900	1000	1100	1200	1300	1400	1500
200		101,77	105,19	108,61	112,03	113,88	127,17	130,86	134,54	141,93	144,02	151,22	155,09	155,34	162,73
300		104,37	107,73	111,08	114,44	117,01	127,77	131,32	134,87	141,99	144,75	151,77	155,41	156,40	163,51
400		106,96	110,26	113,55	116,84	120,14	128,36	131,78	135,21	142,05	145,48	152,32	155,74	157,45	164,30
500		112,17	115,33	118,49	121,64	126,39	129,54	132,70	135,87	142,18	146,92	151,66	156,40	159,56	165,88
600		112,17	118,49	124,81	131,12	134,29	137,45	142,18	145,35	151,66	157,98	164,30	169,04	170,61	180,09
700		120,07	126,39	132,70	139,02	143,77	146,92	151,66	154,82	161,14	169,04	175,36	180,09	181,68	191,16
800		130,50	135,16	139,82	144,48	149,14	152,24	156,90	161,56	167,77	177,09	184,86	189,52	191,08	201,95
900		130,21	136,27	142,31	148,37	154,43	157,45	161,99	166,54	174,11	181,68	190,76	195,30	198,33	208,93
1000		139,84	144,30	148,77	153,22	160,67	163,64	168,11	172,57	181,49	190,41	197,86	205,29	206,78	218,68
1100		151,34	153,03	154,72	156,40	165,09	166,54	172,32	176,67	185,37	195,50	204,19	209,99	211,43	224,46
1200		140,76	147,88	154,98	162,09	169,19	172,04	177,73	183,42	191,94	201,89	210,43	216,12	218,96	233,17
1300		149,30	154,82	160,35	165,88	174,17	176,94	182,47	187,99	197,68	207,35	217,02	225,32	226,70	240,52
1400		151,98	158,82	165,66	172,52	180,73	183,47	188,95	194,43	205,37	216,32	225,91	232,76	234,12	249,19
1500		154,43	162,48	170,54	178,60	185,31	187,99	194,71	201,42	210,83	222,91	233,65	240,36	241,71	257,82
1600		159,56	167,54	175,52	183,49	191,47	194,14	200,78	207,43	218,07	230,03	240,66	248,65	249,97	265,93
1700		165,88	173,78	181,68	189,57	197,47	201,42	208,01	215,90	226,44	238,29	248,82	256,72	258,03	275,14
1800		172,46	180,36	188,26	196,16	205,37	209,32	215,90	223,80	234,34	247,50	259,34	267,24	268,57	286,99
1900		177,73	186,95	196,16	205,37	215,90	218,54	225,13	231,70	244,87	256,72	269,88	279,09	280,41	298,85
2000		181,68	192,21	202,74	213,27	222,49	226,44	233,01	239,60	252,77	267,24	280,41	288,31	289,62	310,69
2100		193,52	202,74	211,96	221,17	231,70	235,65	242,24	250,13	263,29	277,78	290,95	300,16	301,47	321,22
2200		200,11	209,32	218,54	227,75	239,60	243,55	250,13	258,03	272,52	286,99	301,47	310,69	313,32	334,39
2300		204,06	214,59	225,13	235,65	246,18	251,45	258,03	265,93	280,41	296,21	312,01	321,22	322,54	346,24
2400		211,84	223,69	235,53	247,38	256,60	263,18	269,76	277,66	292,15	309,25	326,37	335,59	335,59	361,92
2500		223,46	236,63	249,79	262,96	270,86	278,74	285,33	293,23	307,71	326,14	344,58	353,79	352,47	381,43
2600		235,07	249,56	264,04	278,52	285,10	294,32	300,89	308,79	323,28	343,02	362,78	371,99	369,35	400,95
2700		246,70	262,50	278,29	294,09	299,35	309,88	316,47	324,37	338,84	359,91	380,97	390,19	386,24	420,47
2800		258,32	275,42	292,54	309,65	313,60	325,45	332,04	339,93	354,42	376,79	399,17	408,39	403,12	439,99
2900		269,93	288,36	306,80	325,22	327,86	341,02	347,60	355,50	369,98	393,68	417,37	426,58	420,01	459,50

HANDLING ROD FOR ECLYPSE CM:	PRICE LIST
30	€ 45,18
60	€ 45,49
90	€ 45,82
120	€ 46,13
Increase for rod arrangement only € 16,09	



SECTIONS AND OVERALL DIMENSIONS

Vertical and Frontal Section



MAXIMUM RECOMMENDED MEASURES

Eclypser can be made only in the measurements shown in this table.

Accessories colours: Black, White, Brown, Ivory
 Profile and fabric colours: see **page 6,7,8**

NOTES: Removable closing system (Velcro) black on the side of the Eclypser profile and transparent on the side of the glass application. There are no exceptions. Black cover tape (white, black or brown on request).

NIGHT & DAY BLACKOUT/UNICO

PRICE LIST (MM)	H	W	200	300	400	500	600	700	800	900	1000	1100	1200	1300	1400	1500
200	195,75	206,65	217,55	228,45	239,35	250,25	261,15	272,05	282,95	293,85	304,75	315,65	326,55	337,45	348,35	359,25
300	204,78	216,67	228,57	240,47	252,37	264,27	276,17	288,06	299,96	311,86	323,76	335,66	347,56	359,46	371,36	383,26
400	213,81	226,70	239,60	252,49	265,39	278,29	291,18	304,08	316,97	329,87	342,76	355,66	368,56	381,46	394,36	407,26
500	222,84	236,73	250,63	264,52	278,41	292,30	306,20	320,09	333,98	347,88	361,77	375,67	389,56	403,46	417,36	431,26
600	231,87	246,76	261,65	276,54	291,43	306,32	321,21	336,10	350,99	365,89	380,78	395,67	410,56	425,46	440,36	455,26
700	270,58	286,46	302,35	318,24	334,13	350,01	365,90	381,79	397,68	413,57	429,45	445,34	461,23	477,12	493,01	508,90
800	279,61	296,49	313,38	330,26	347,15	364,03	380,92	397,80	414,69	431,57	448,46	465,34	482,23	499,12	516,01	532,90
900	288,64	306,52	324,40	342,29	360,17	378,05	395,93	413,82	431,70	449,58	467,47	485,36	503,24	521,13	539,01	556,90
1000	312,51	331,39	350,27	369,15	388,03	406,91	425,79	444,67	463,55	482,43	501,31	520,20	539,08	557,96	576,85	595,73
1100	321,54	341,42	361,29	381,17	401,05	420,93	440,80	460,68	480,56	500,44	520,31	540,20	560,08	579,96	599,85	619,73
1200	330,57	351,44	372,32	393,19	414,07	434,94	455,82	476,69	497,57	518,44	539,32	560,20	581,08	601,96	622,85	643,73
1300	354,44	376,31	398,18	420,05	441,93	463,80	485,67	507,54	529,42	551,29	573,16	595,04	616,92	638,80	660,68	682,56
1400	363,47	386,34	409,21	432,08	454,95	477,82	500,69	523,56	546,43	569,30	592,17	615,04	637,92	660,80	683,68	706,56
1500	372,50	396,37	420,23	444,10	467,97	491,84	515,70	539,57	563,44	587,31	611,17	635,04	658,92	682,80	706,68	730,56
1600	396,37	421,23	446,10	470,96	495,83	520,69	545,56	570,42	595,29	620,15	645,02	669,89	694,76	719,63	744,50	769,37
1700	405,40	431,26	457,12	482,99	508,85	534,71	560,57	586,43	612,30	638,16	664,02	689,89	715,76	741,63	767,50	793,37
1800	414,43	441,29	468,15	495,01	521,87	548,73	575,59	602,45	629,31	656,17	683,03	709,89	736,76	763,63	790,50	817,37
1900	423,46	451,32	479,18	507,03	534,89	562,75	590,60	618,46	646,32	674,18	702,03	729,89	757,76	785,63	813,50	841,37
2000	432,49	461,35	490,20	519,06	547,91	576,77	605,62	634,48	663,33	692,18	721,04	749,89	778,76	807,63	836,50	865,37
2100	456,36	486,21	516,07	545,92	575,77	605,62	635,47	665,33	695,18	725,03	754,88	784,76	814,63	844,50	874,37	904,24
2200	465,39	496,24	527,09	557,94	588,79	619,64	650,49	681,34	712,19	743,04	773,89	804,76	835,63	866,50	897,37	928,24
2300	474,43	506,27	538,12	569,97	601,81	633,66	665,51	697,35	729,20	761,05	792,89	824,76	856,63	888,50	920,37	952,24
2400	483,46	516,30	549,14	581,99	614,83	647,68	680,52	713,37	746,21	779,05	811,90	844,76	877,63	910,50	943,37	976,24
2500	492,49	526,33	560,17	594,01	627,85	661,70	695,54	729,38	763,22	797,06	830,90	864,76	898,63	932,50	966,37	1000,24
2600	501,52	536,36	571,20	606,04	640,88	675,71	710,55	745,39	780,23	815,07	849,91	884,76	919,63	954,50	989,37	1024,24
2700	510,55	546,39	582,22	618,06	653,90	689,73	725,57	761,41	797,24	833,08	868,92	904,76	940,63	976,50	1012,37	1048,24

HANDLING ROD FOR ECLYPSE CM:	PRICE LIST
30	€ 45,18
60	€ 45,49
90	€ 45,82
120	€ 46,13
Increase for rod arrangement only € 16,09	



PLEATED DOOR IN FABRIC - PORTAPLISS

Profile	Price Per Sqm Valid only for pantheon fabrics (EXCLUDING BLACKOUT)
Standard	€ 133,91
Standard Plus	€ 148,03
Michelangelo	€ 146,81
Imitation Wood	€ 185,62

Minimum order: 2.2 sqm

“Unico” Fabric

Available in 7 colors

Dark grey 120-19/ light grey 1213
Optic white 1220/ cream 1206
Light blue 1211/ dove 120-25/ brown 1239

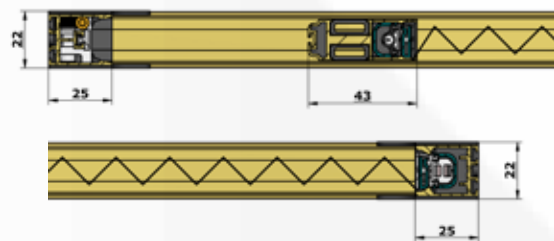


*purely indicative image

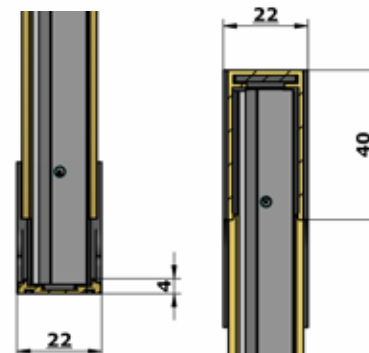
TECHNICAL DATA	
Composition	100% Polyester
Resin coating	-----
Micron thickness	µm 160
Weight (g/m2)	gr. 86
Flame behaviour	FR - Flame retardant
Darkening	☉ Semi-transparent
Texture	Crêpe

SECTIONS AND OVERALL DIMENSIONS

Horizontal Section



Vertical Section



NOTES

Minimum order 2.2 sqm

Maximum Recommended Measurements: L 1800 mm, H 2900 mm

Outside the recommended measures, no technical guarantee will be provided on the functioning of the product, the latter will be manufactured only upon request and subject to the Customer's release from liability.

Accessories colours: Black, White, Brown, Ivory, Bronze

Increase for central opening 8% (minimum order 3 sqm) - increase for front mounting 18% - increase for bilateral 14%
increase for double bilateral 35% (minimum order 4 sqm)

The pantheon fabric is not black out, that is, they do not darken 100%; they reach a percentage around 50%/60% with dark colours. For different sizes ask for a quote and feasibility. For transom request a quote

<ul style="list-style-type: none"> Wipe the surface with a sponge Treat carefully 	<ul style="list-style-type: none"> Do not bleach 	<ul style="list-style-type: none"> Do not iron 	<ul style="list-style-type: none"> Do not dry clean Do not remove stain with solvent 	<ul style="list-style-type: none"> Do not squeeze

“Pantheon” fabric

Available in 10 colors

Dark grey 99/ Light grey 98
 Bordeaux red 78/ White 65/Cream 61
 Ivory 59/ Dark yellow 41/ Dark brown 19
 Brown 29/Dark green 16



*purely indicative image

TECHNICAL DATA	
Composition	100% Polyester
Resin coating	Thermo-hardening water-repellent
Micron thickness	µm 25
Weight (g/m2)	gr. 126
Flame behaviour	-----
Darkening	☉ Semi-darkening max 50/60% depending on the color
Texture	Sustained silky

<ul style="list-style-type: none"> • Only hand washing • Do not wash by machine • Treat carefully 	<ul style="list-style-type: none"> • Do not bleach 	<ul style="list-style-type: none"> • Do not iron 	<ul style="list-style-type: none"> • Do not dry clean • Do not remove stain with solvent 	<ul style="list-style-type: none"> • Do not dry by rotary drum dryer

“Blackout” fabric

Available in 4 colors

Ivory 5010B/ Black
 Brown 5014M/ White

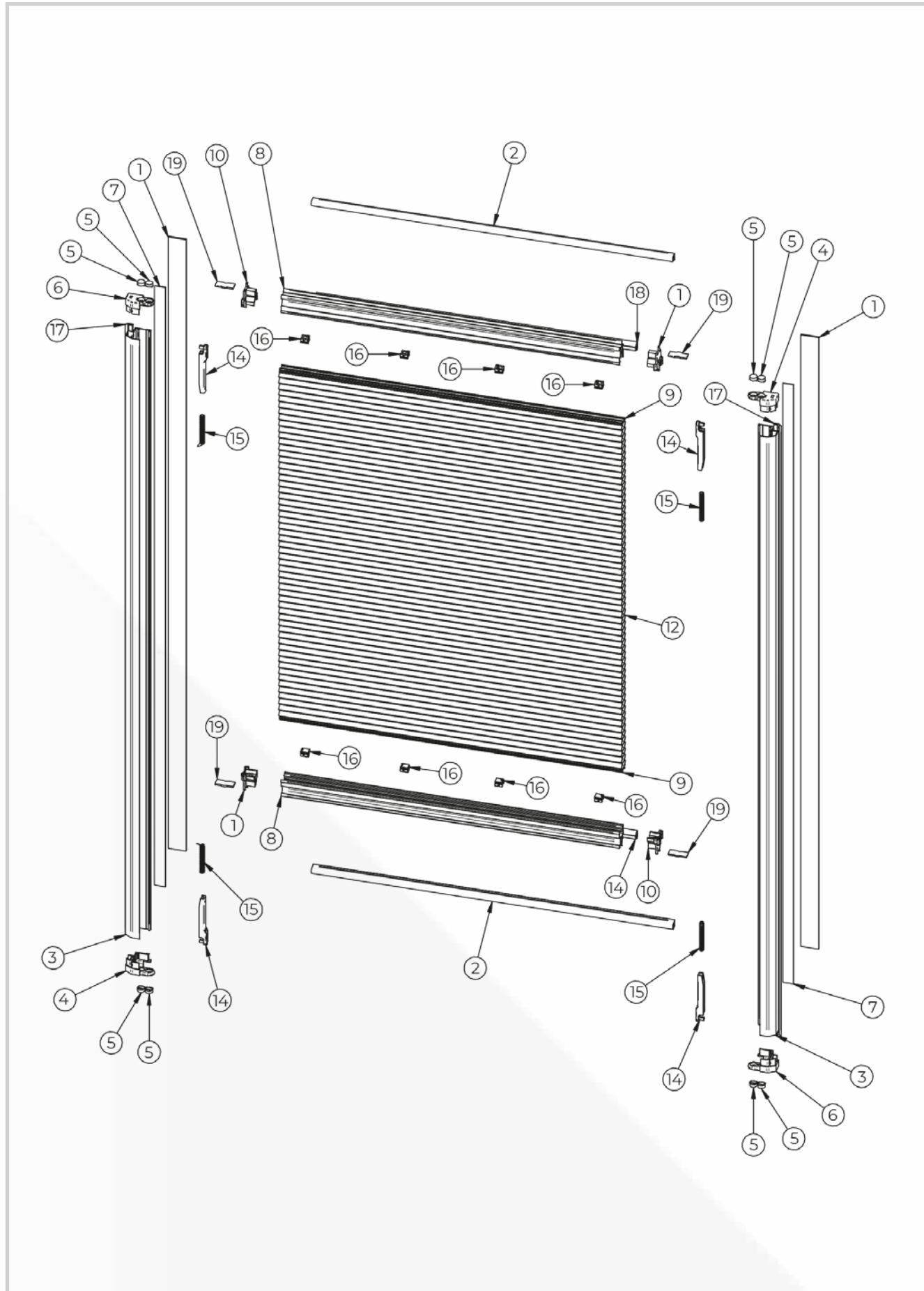


*purely indicative image

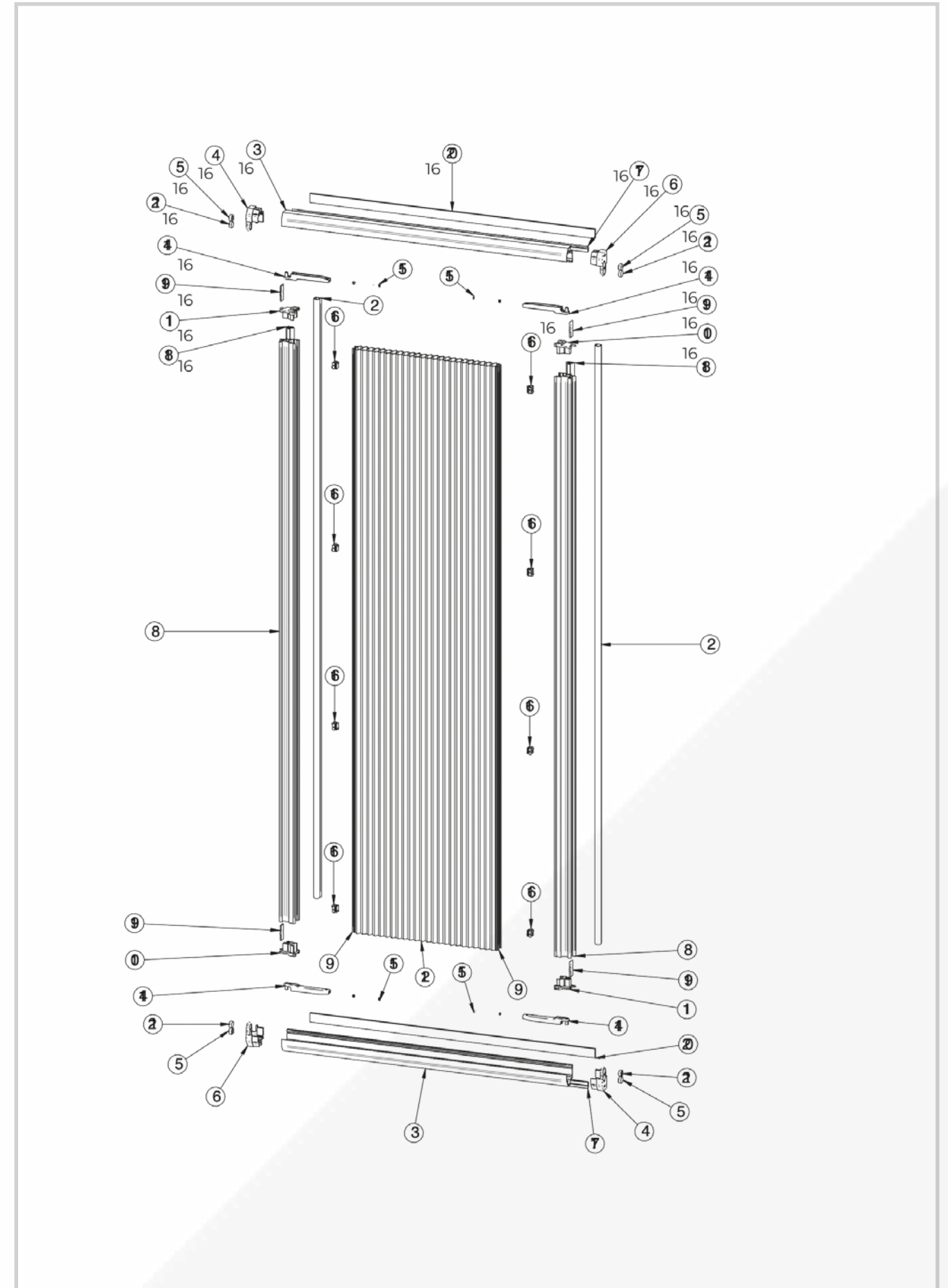
TECHNICAL DATA		
Composition	TNT 100% Polyester	
Typology	Single room honeycomb	
Micron thickness	µm 150 (0,15 mm)	
Weight (g/m2)	gr. 164	
Fabric Height	3000 mm (+/- 50 mm)	
Fold Height	19,5 mm (+/- 0,5 mm)	
Flame behaviour	-----	
Darkening	● 100% blackout	
Texture	Nonwoven fabric	

<ul style="list-style-type: none"> • Wipe on the surface with a damp sponge • Treat carefully 	<ul style="list-style-type: none"> • Do not bleach 	<ul style="list-style-type: none"> • Do not iron 	<ul style="list-style-type: none"> • Do not dry clean • Do not remove stain with solvent 	<ul style="list-style-type: none"> • Do not squeeze

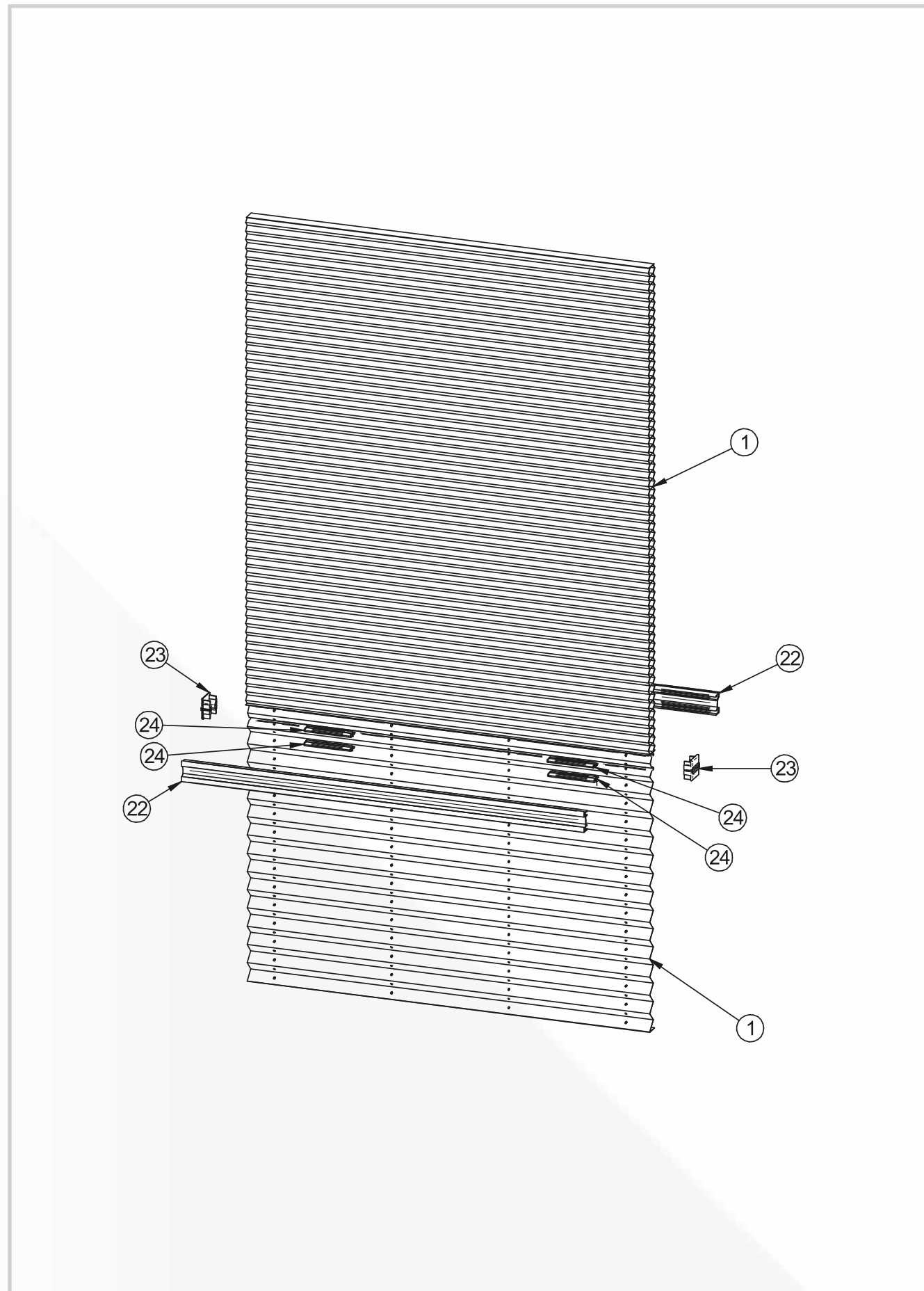
ECLYSER VERTICAL OPENING



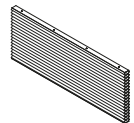
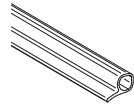
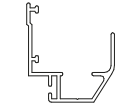
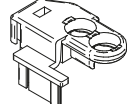
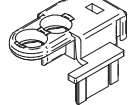
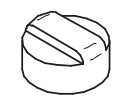
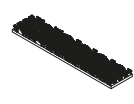
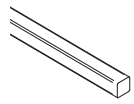
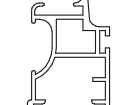
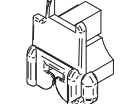
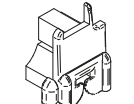
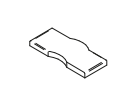
ECLYSER SIDE OPENING



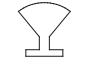
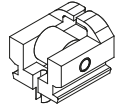
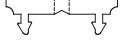
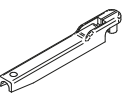





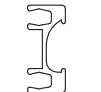
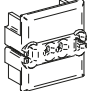
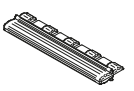


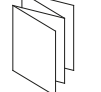
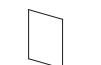
ECLYPSE DAY AND NIGHT



DESCRIPTION OF THE ECLYPSE COMPONENTS

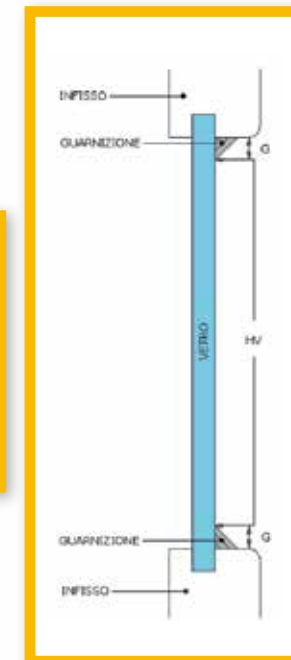
POSITION		NAME	QUANTITY	ORDER CODE
1		Filtering - Blackout fabric	1 piece	
2		Soft arrival profile	2 pcs	MN 186
3		Guide	2 pcs	GUEC+COLORE
4		Right guide end CAP	2 pcs	TEGU+COLORE (MA/AV/BI/NE)
5		Left guide end CAP	2 pcs	TEGU+COLORE (MA/AV/BI/NE)
6		Round magnet	4 pcs	CA 07
7		3M velcro for guide (3870 black)	--	VE02
8		Compensator profile for guide	2 pcs	POR 304/P/OPC
9		Handle bar	2 pcs	BAEC+COLORE
10		Right final pulley	2 pcs	CAFIEC+COLORE (MA/AV/BI/NE)
11		Left final pulley	2 pcs	CAFIEC+COLORE (MA/AV/BI/NE)
12		Metal plate	4 pcs	PIAMET

DESCRIPTION OF THE ECLYPSE COMPONENTS

POSITION		NAME	QUANTITY	ORDER CODE
13		Brush SPF 4,8x13 3P1LBK	2 pcs	7860 7860B 7860M
14		Intermediate pulley	Min. 8 pcs Max. 16 pcs	LPP06
15		Profile for fabric	2 pcs	LPA01GR
16		Wire tensioner	4 pcs	TENDEC +COLORE (MA/AV/BI/NE)
17		Spring	4 pcs	PL10
18		Wire locking insert for spring	4 pcs	LPP06
19		False magnet	4 pcs	TAPPTG B TAPPTG N
20		3M velcro for glass (3650 transparent)	--	VE03
21		Double sided 3M	2 pcs	FILMSP (B-M-N)
22		Profile for Eclypser N&D	2 pcs	PRONGGR
23		N&D terminal profile	2 pcs	TEPRNG
24		Passing wired accessory	4/6 pcs	PAFIFR
--		Double sided fabric tape	2 pcs	BI01
--		Wire 0,8 mm	H+L+30 cm X N Fili	FI 01 C
--		Installation instructions	1 piece	IST SPD
--		3M glass cleaning wipe	1 piece	SALV

How to measure the Eclypser

1. Take the measurements in width and height on three points, in order to check the constancy of the dimension. It should be remembered that, as a rule, the smallest of the three measured values must be taken into account, first for the width and then for the height.



2. For the most precise measurements, sharknet recommends the use of tape measures with a reading window

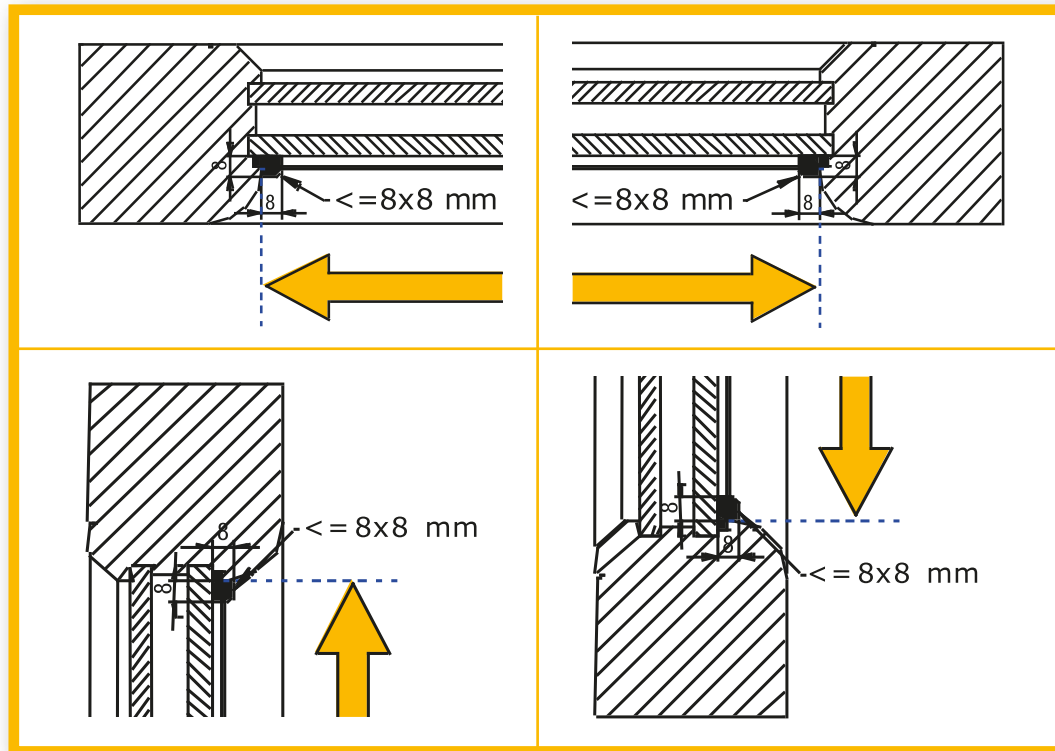


3. Compared to the old model, where the measurements in all cases had to be taken from seal to seal, on the new model a distinction must be made:

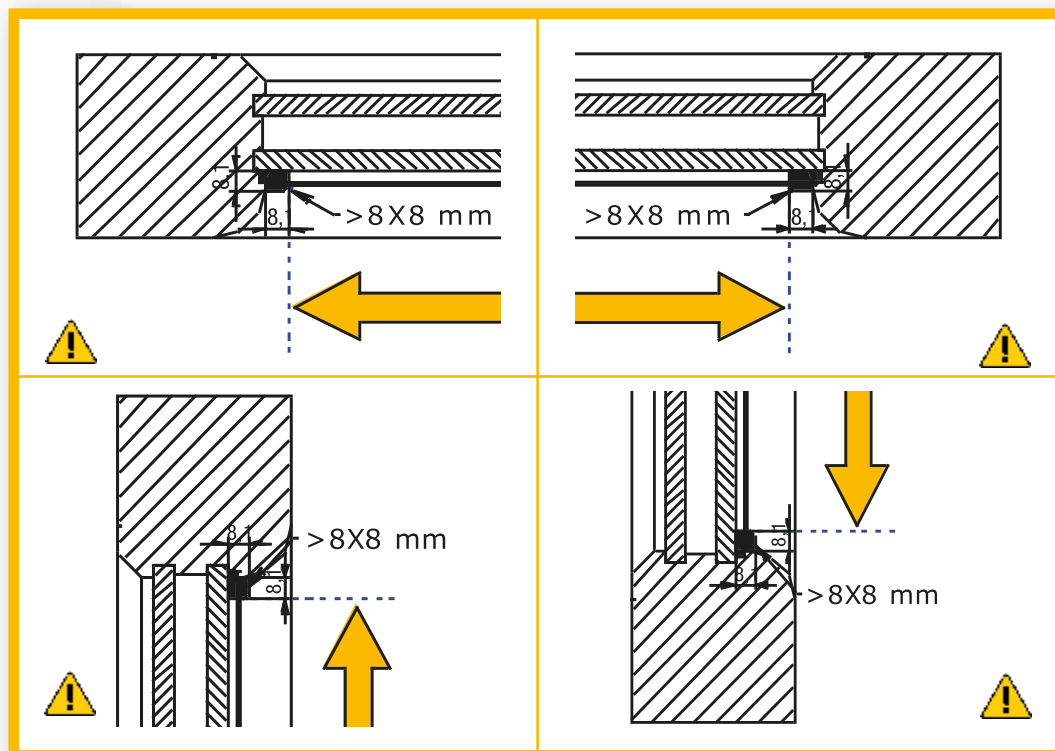
- Provide measurements from glazing bead to glazing bead in the presence of seals up to 8x8 mm.
- Provide seal-to-seal measurements in the presence of seals equal to or greater than 8x8 mm

WATCH THIS VIDEO





with seals up to 8 x 8 mm, the measurement must be taken from glazing bead to glazing bead.



with seals larger than 8 x 8 mm, the measurement must be taken from seal to seal.

COLOR BOX (MESH AND NET SAMPLES)



76 €
EXCL. VAT

For a correct sampling or display of the product, we suggest positioning the Eclypser on the window frame



Request now the Eclypser sample!



ECLYPSE
158 €
EXCL. VAT

write to info@shark-net.com or contact
your agent to receive it



JP Benelux BV

"It is a pleasure to leave the customer's home and see the satisfaction on their faces for purchasing Eclypser"

www.jpbenelux.nl



"Eclypser deserves our best feedback, fine, easy to install and very functional. Without springs or other mechanical systems, Eclypser offers a complete guarantee for us and we recommend it to all our customers. Our compliments, Eclypser"

Jaume Pregonas Barceló
Matex Iberica, S.L.
www.matexiberica.com



"For our company, Eclypser is a big success!"

Maite - MCR - www.mcrsll.com



RETURN REQUEST FORM

ATTENTION: IT IS COMPULSORY TO ATTACH THE DELIVERY NOTE TO THIS FORM

COMPANY NAME _____

DATE _____

REASON

- RETURN
- REPAIR UNDER WARRANTY
- REPAIR

PRODUCT	TYPE
<input type="checkbox"/> SHARKNET	
<input type="checkbox"/> ECLYPSER	
<input type="checkbox"/> FOX GARDEN	
<input type="checkbox"/> ZANZA FISSA (fixed insect screen)	
<input type="checkbox"/> ZANZA MOLLA (spring insect screen)	
<input type="checkbox"/> VENEZIANA	
<input type="checkbox"/> OTHER _____	

- COLLECTION BY DFM
- THROUGH THE CUSTOMER'S CARRIER

- 1) It is necessary to specify on the Delivery Note:
- a) The type of intervention to be done (even more so if you want to change the net/fabric colour, e.g. from orange to black)
 - b) Product specifications (net/fabric colour, profile colour etc ...)
 - c) Reason for return and warranty request
 - d) For returns and repairs under warranty it is necessary to indicate the purchase references

NB
2) In the absence of such information, DFM reserves the right to refuse the goods
RETURN REQUEST FORM



THIS PRICE LIST REPLACES THE PREVIOUS VERSIONS

VAT: excluded

Prices: All prices are expressed in Euros

Transport Within the Lazio and Umbria regions: Free port except for some special cases at the discretion of DFM srl.

The goods, even if delivered by our means, always travel at the risk of the customer. Any shortages or breakages during transport will be recognised only if highlighted at unloading and formalised on the delivery note.

Other Regions: Transport cost added to the invoice

Packaging Included - Special packaging will be charged with VAT22%

Payments: Payments must be made at our headquarters in Monterotondo (Rome).

Any bank charges are to be paid by the buyer.

Any outstanding payments will result in the blocking of deliveries and the charging of expenses.

Returns: No return of goods will be accepted unless previously authorised by DFM.

Complaints: Complaints are not accepted after 8 days from receipt of the material.

Any type of complaint does not authorise the customer not to pay the invoice on due date.

Complaints regarding different shades of colour will not be accepted for orders placed at different times.

Products: The description (drawings, photos and dimensions) of the products contained in this price list is purely indicative.

Due to the printing process, the colours indicated in this price list may not correspond perfectly to the range of our production.

Nets and Fabrics: they could undergo different colouring processes. Complaints about the colour are not accepted.

Weight and texture may vary. Complaints about these variations are not accepted.

Delivery: Due to the different processing times of any different products that make up the same order, partial deliveries may occur.

Cancellation of the order: the order can be cancelled only in exceptional cases authorised by the company against a refund of 50% for reusable products and 80% for non-reusable ones.

Orders by phone: these are subject to a 5% increase, with some exceptions.

Wire repairs: the cost of repairing the wires alone is 60 € per piece. Net price, VAT excluded, without discounts.

Change of order already sent: maximum within 24 hours of receipt

DFM reserves the right to make improvements in the materials at any time without notice.

DFM reserves the right to make improvements to the materials at any time without prior notice.

For any dispute the competent court is that of Tivoli (RM)

THIS PRICE LIST CANCELS AND REPLACES THE PREVIOUS PRICE LISTS, COLOUR CHARTS AND SAMPLES

Valid from 1st May 2023

FINISHED TO PRINT APRIL 2023

ECLIPSER



ECLYPSER

Via T. Edison, 19 - 00015 Monterotondo Scalo (ROMA)
Tel. +39 06.906.94.23 - Fax +39 06.906.03.01

www.shark-net.com